

JF-IPC-EQ2120-IR2

1080P Lite Network Bullet Camera



Features

- ◆ 1080P@25fps
- ◆ HD lens:3.6mm (6mm optional)
- ◆ Support ONVIF(profile S)
- ◆ Support H.264 video compressions, multi-level video quality configuration
- ◆ Protection level is IP67
- ◆ Supporting WEB, VMS, MYEYE platform;
- ◆ Support mobile phone monitoring (IOS, Android);

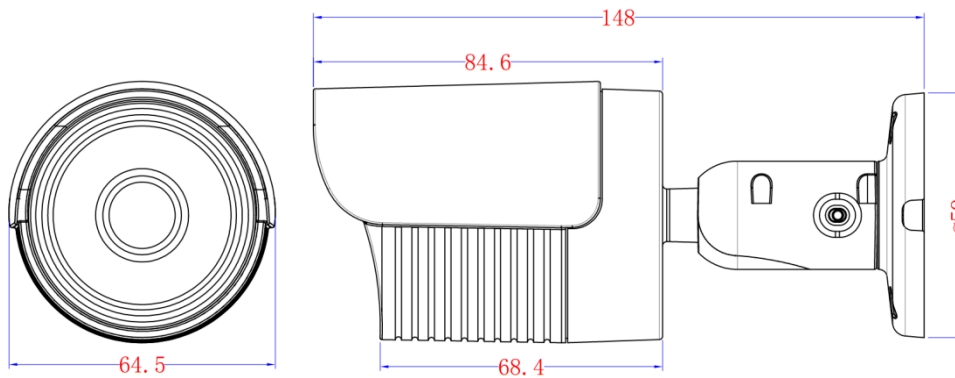
Specification

Camera	
Model	JF-IPC-EQ2120-IR2
Image Sensor	1/2.7" 1080P CMOS
Min.illumination	0.1Lux@F1.2(Color)/0.01Lux@F1.2(B/W)
Lens	3.6mm (6mm optional)
Day/Night	IR CUT
Wide Dynamic Range	DWDR
Max.IR Distance	30m
Video Compression	H.264
Multi-streaming	Dual-stream
Frame Rate	1080P@25fps
Intelligent Video	--
Compatibility	ONVIF
Interface	
Audio In/Out	--
Memory Slot	--
Alarm In/Out	--
General	
Ingress Protection	IP67
Working Temperature	-20°C~+65°C
Material	Metal
Power	DC12V±10%,PoE

JF-IPC-EQ2120-IR2

1080P Lite Network Bullet Camera

Dimensions



Accessories (optional)

JF TECH Co.,Ltd.
Headquarters(Hangzhou):
Building 9, Yinhu Innovation Center, Hangzhou, China
Business Center(Shenzhen):
A 7th Floor, Block Sakata 5 Avenue and Chong Hing Times Tower Shenzhen
All Rights Reserved • Specifications subject to change without notice.

Website:<http://www.jftech.com>
Tel:+86-0571-23271188

Tel:+86-0755-32898088